

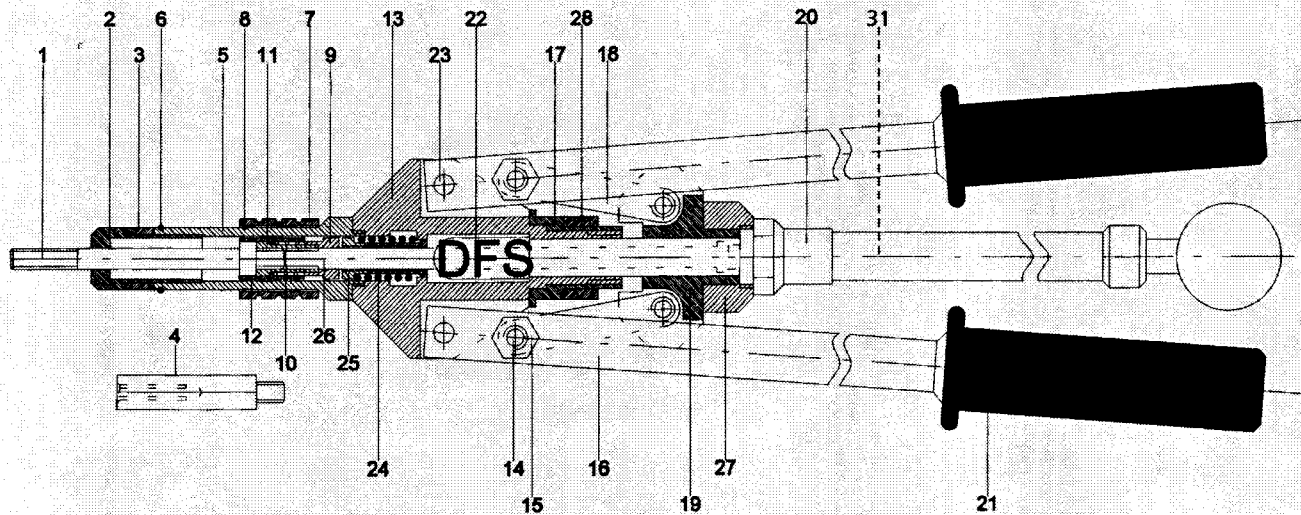
TUBTARA® PRODUCTS ARE AVAILABLE AT:

**MARYLAND
METRICS**

P.O. Box 261
phones: (410)358-3130
faxes: (410)358-3142
URL: <http://mdmetric.com>

Owings Mills, MD 21117 USA
(800)638-1830
(800)872-9329
E-mail: sales@mdmetric.com

Spare parts for
DFS 109 T Hand tool for Blind Rivet Nuts



SPARE-PARTS

| N° | ORDER CODE | DESCRIPTION |
|----|------------|-----------------|
| 1 | 609-9004 | mandrel M4 |
| | 609-9005 | mandrel M5 |
| | 609-9006 | mandrel M6 |
| | 609-9008 | mandrel M8 |
| | 609-9010 | mandrel M10 |
| 2 | 609-9104 | anvil M4 |
| | 609-9105 | anvil M5 |
| | 609-9106 | anvil M6 |
| | 609-9108 | anvil M8 |
| | 609-9110 | anvil M10 |
| 3 | 609-9501 | contra nut |
| 4 | 609-9205 | puller M5 |
| | 609-9206 | puller M6 |
| | 609-9208 | puller M8 |
| 5 | 609-9504 | nose piece |
| 6 | 609-9514 | circlip |
| 7 | 609-9502 | protection part |
| 8 | 609-9515 | O'Ring |
| 9 | 609-9518 | contra nut |
| 10 | 609-9517 | spring |

| N° | ORDER CODE | DESCRIPTION |
|----|------------|--------------------------|
| 11 | 609-9516 | spring holder |
| 12 | 609-9503 | security part |
| 13 | 609-9506 | tool body A |
| 14 | 609-9507 | threaded bolt |
| 15 | 609-9508 | lock nut M8 |
| 16 | 609-9509 | handle |
| 17 | 609-9510 | stroke adjuster |
| 18 | 609-9511 | link |
| 19 | 609-9512 | tool body B |
| 20 | 609-9523 | operating screw complete |
| 21 | 609-9524 | grip |
| 22 | 609-9526 | logo |
| 23 | 609-9520 | hinge bolt |
| 24 | 609-9519 | spring |
| 25 | 609-9505 | push-nut |
| 26 | 609-9513 | pulling spindle |
| 27 | 609-9522 | screwer sleeve |
| 28 | 609-9521 | ring |
| 31 | 609-9529 | operating screw |