

TUBTARA® PRODUCTS ARE AVAILABLE AT:

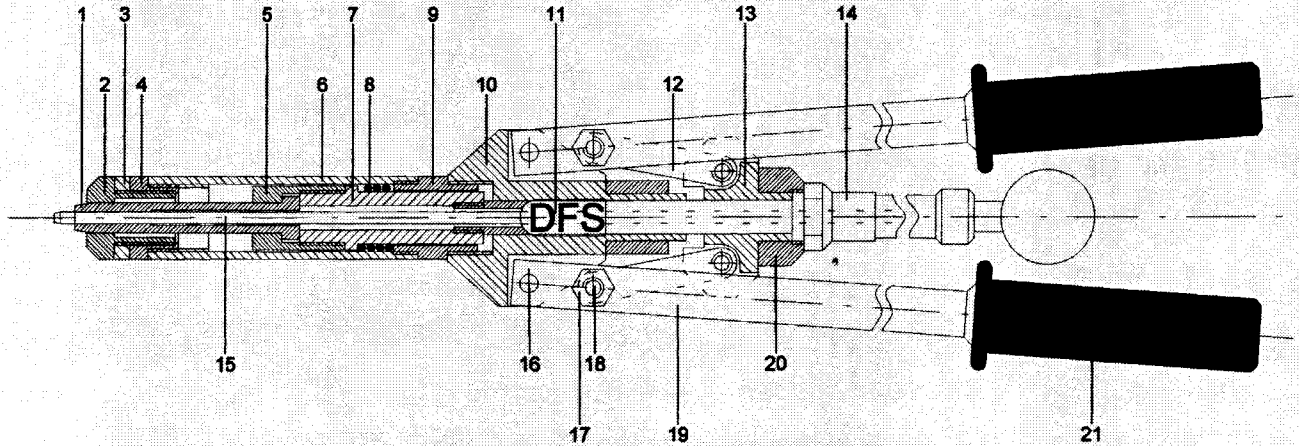
**MARYLAND
METRICS**

P.O. Box 261
phones: (410)358-3130
faxes: (410)358-3142
URL: <http://mdmetric.com>

Owings Mills, MD 21117 USA
(800)638-1830
(800)872-9329
E-mail: sales@mdmetric.com

Spare parts for

DFS 109 TH Hand tool for punching hexagonal holes



SPARE-PARTS

N°	ORDER CODE	DESCRIPTION
1	5059-9571	punch M4
1	5059-9641	punch M5
1	5059-9741	punch M6
1	5059-9821	punch M8
1	5059-9881	punch M10
2 + 3	5059-9211	anvil HEX M4 + locking nut
2 + 3	5059-9221	anvil HEX M5 + locking nut
2 + 3	5059-9231	anvil HEX M6 + locking nut
2 + 3	5059-9241	anvil HEX M8 + locking nut
2 + 3	5059-9251	anvil HEX M10 + locking nut
3	5056-6300	locking nut M4-M8
3	5059-9110	locking nut M10
4	609-9601	adapter for anvil M4-M8
5	609-9602	punch guide M4-M8
5	609-9603	punch guide M10
6	609-9604	nose piece

N°	ORDER CODE	DESCRIPTION
7	609-9609	pulling sleeve
8	609-9610	spring
9	609-9605	nose piece nut
10	609-9611	tool body A
11	609-9619	logo
12	609-9511	link
13	609-9613	tool body B
14	609-9618	center arm complete
15	609-9616	center pin
16	609-9520	hinge bolt
17	609-9508	lock nut M8
18	609-9507	threaded bolt
19	609-9509	handle
20	609-9522	screwer sleeve
21	609-9524	grip