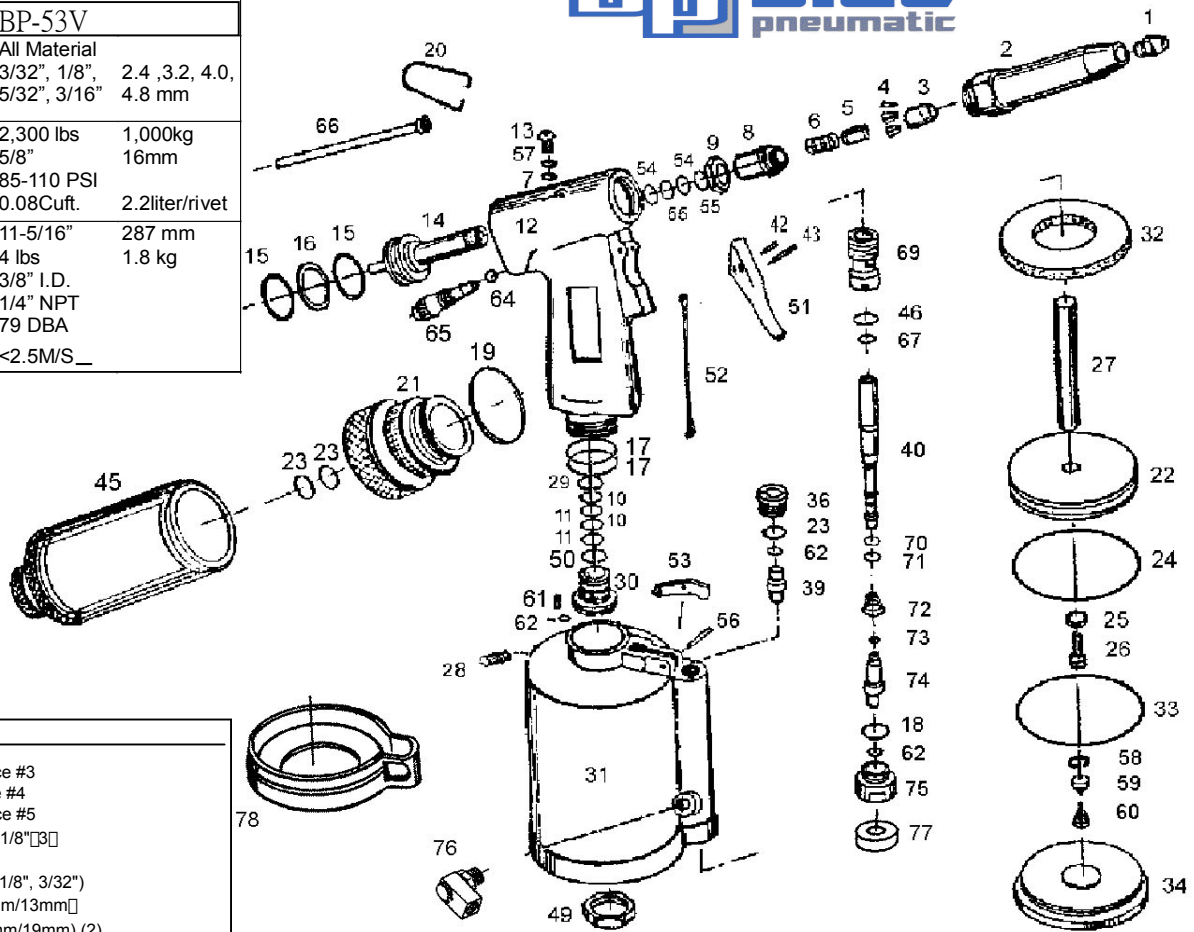


# BP-53V BIG BLUE JR./ 3/16" AIR HYDRAULIC RIVETER

\* with MANDREL COLLECT SYSTEM

## SPECIFICATIONS

Model No.	BP-53V	
Riveting Capacity	All Material 3/32", 1/8", 2.4, 3.2, 4.0, 5/32", 3/16" 4.8 mm	
Traction Power	2,300 lbs	1,000kg
Hydraulic Stroke	5/8"	16mm
Operating Air Pressure	85-110 PSI	
Air Consumption	0.08Cuft. 2.2liter/rivet	
Overall Length	11-5/16"	287 mm
Net Weight	4 lbs	1.8 kg
Min. Hose Size	3/8" I.D.	
Air Inlet	1/4" NPT	
Sound Pressure	79 DBA	
Vibration	<2.5M/S_	



## ACCESSORIES :

Index	P/N	Description
1	480017	3/32" Nosepiece #3
1.	480018	1/8" Nosepiece #4
1.	480532	5/32" Nosepiece #5
4.	A6618	Jaws for 3/32", 1/8" [3]
20	54059	Hanging Ring
66.	55080	Pusher Tube (1/8", 3/32")
*	11S13	Spanner (11mm/13mm)
*	17S19	Spanner (17mm/19mm) (2)
*	54005	Hex. Wrench [5mm]
*	11790	Oil Syringe

7/10/06

Index No.	Part No.	Description	Index No.	Part No.	Description	Index No.	Part No.	Description
1	480316	3/16" Nosepiece #6	26	10427	Piston Head Lock Screw	57	400017A	Fill Washer
2	55015	Head	27	02122	Plunger Rod	58	19314	Retaining Ring
3	55009	Jaw Housing	28	55066	Screw	59	19312	Rubber Plate
4	10508	Jaw (10408) (3)	29	25022	O-Ring Seal	60	19313	Spring
5	55007	Jaw Pusher	30	02157	Screw Plug	61	N2.5X10	Pin
6	500005	Spring	31	55001	Air Cylinder Body	62	20413	O-Ring Seal (#23110) (3)
7	02197	O-Ring Seal	32	02130	Damping Ring	64	55017	Ball
8	54006	Jaw Housing Coupler	33	10431	O-Ring Seal	65	55032	Adjustable Screw
9	54004	Nut	34	54003	Air Cylinder Cap	67	11560	O-Ring Seal
10	11520	X-Ring Seal (2)	36	55040	Bush Screw	69	55022	Valve Throttle
11	11558	O-Ring Washer (2)	39	55038	Valve Plate	70	R5X1.9	O-Ring Seal
12	55002	Hydraulic Section	40	55039	Valve Tube	71	23111	O-Ring Seal
13	02171	Oil Plug	42	02168H	Pin	72	10744	Spring
14	55051	Hydraulic Plunger	43	02169	Pin	73	R1.9X1.2	O-Ring Seal
15	11501	O-Ring Seal (2)	45	500610C	Mandrel Bottle Ass'y (short)	74	55052A	Plug Pin
16	11549	Washer	46	10548	O-Ring Seal	75	55050	Plug Screw
17	02116	O-Ring Seal (2)	49	02121	Lock Nut	<b>76</b>	<b>#021470</b>	
18	25203	O-Ring	50	02170	O-Ring Seal	77	550521	Button Nut
19	55019	O-Ring Seal (2)	51	02138	Trigger	78	54070	Rubber Cushion
21	55070	Screw Plug	52	54033	Trigger Rod	<b>To pull smaller rivets 3/32"(2.4mm), 1/8"(3.2 mm)                      Replace (#5 / #55007) Jaw Pusher &amp;                      (#4 / 10508) Jaws with the following: (#66 / #55080)                      Pusher Tube &amp; (#4 / #A6618) Jaws</b>		
22	02123	Piston Disc	53	02134	Trigger Lever			
23	31413	O-Ring Seal (3)	54	11554	X-Ring Seal (2)			
24	02124	Air Piston Ring	55	11502	X-Ring Washer (2)			
25	76527	Spring Washer	56	02167	Pin			